

LoRa Serial WireLess Remote Gas Meter



1. Counting function
2. Meter reading function
3. RTC function
4. Data freeze function
5. Power monitoring
6. Data storage
7. Control function (Optional)

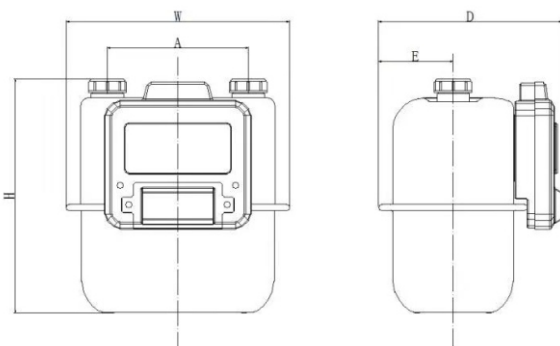
The WG-LoRa series meter adopts LoRa wireless spread spectrum technology to gas AMR business. According to the

different types of protocol, it can be divided into WG L and WG LW series. WG L series adopts private protocol, which can realize outdoor meter reading and valve control through intelligent handheld; WG LW series adopts LoRa alliance standard protocol and constructs star network through LoRawan gateway, which can realize two way communication between end to end device and control master station, thus realizing remote inquiry, control and gas purchasing. Great convenience to the management and operation of gas operators, improve management efficiency, but also facilitate users.

SPECIFICATION

Item	Unit	Parameter
Base meter		Beta meter (EN1359/R135)
LCD Unit	m ³	0.01 m ³
LCD max display	m ³	999999.99 m ³
Frequency Range	Mhz	865Mhz 868Mhz (Customizable)
Transmitting power	dBm	20dbm(Customizable)
Transmitting current	mA	240mA@5VDC
Max work current	mA	<300 mA
Communication protocol		LoRa (Customizable)
Communication distance	m	≥1000m
Min work current	μA	< 20μA
Relative humidity	%	≤93%
Work temperature	°C	10°C ~ +40°C
Store temperature	°C	20°C ~ +60°C
Pluse unit	Imp	0.01 (1cubic=100Pluse)
Pluse stype		Double pulse (Holzer or reed pipe)
Power supply voltage		DC6V (4 AA Alkaline battery) /DC3.6 (ER18505 Or Equivalent model)
Battery Life		≥1year (AA Alkaline battery) ≥10 years (Lithium battery)
Explosion level		EXib II BT3 Gb
Protection level		IP54~IP67

SIZE



Model	A	H	W	D	E
WG1.6A L/LW	130	221	209	176	73.8
WG2.5A L/LW					
WG4A L/LW					
WG1.6(S) L/LW		224	201	167	67.5
WG2.5(S) L/LW					
WG4(S) L/LW					